

所別：光電科學研究所碩士班 不分組 科目：電子學

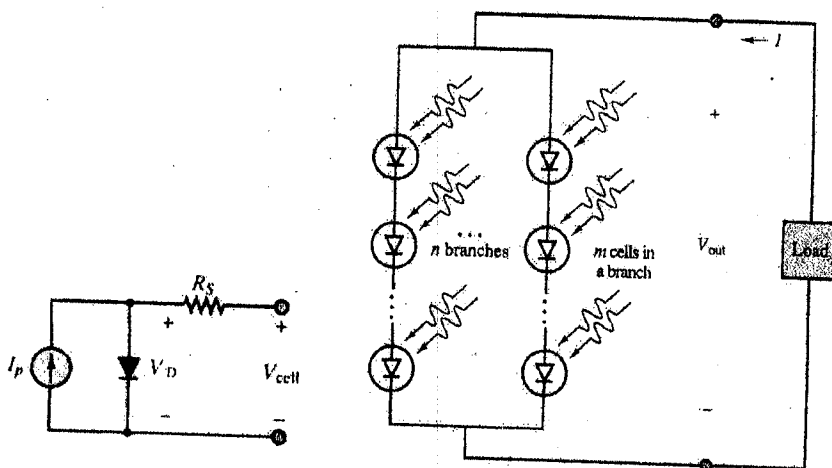
1. Draw the circuit symbol and label the nodes' name : (a) Zener diode , (b)pnp BJT, (c)enhancement n-channel MOSFET, (d)depletion p-channel MOSFET, (e) p-channel JFET. (4*5=20)

2. I_p is the strength of the current generated by the incident light on the solar cell. We can express the current i_D and voltage V_D relationship of the solar cell using the diode equation and circuit model shown in fig2-1:

$$i_D = I_0 [\exp(qV_D / kT) - 1] - I_p$$

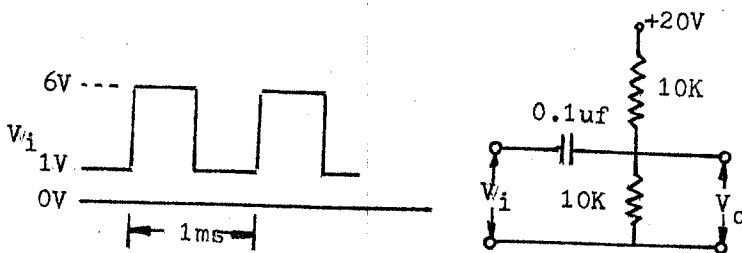
$I_p=20 \text{ mA}$, $I_0=50 \text{ pA}$, $R_s=0.7 \Omega$, $k=1.38 \cdot 10^{-23}$, $T=300$, $q=1.6 \cdot 10^{-19}$. To

increase the power output to a level sufficient for practical applications, solar cells can be connected in series and in parallel (solar arrays shown in fig2-2). Design the minimum array size(m and n)achieve the output $V_{out} = 10V$, $I = -0.5A$? (20)



3. The following logic function $Z=(A \cdot B)+C \oplus A$. (a) if A=true, B=false, C=true, what's Z? (b) draw the logic gate circuit. (c) realize the function using CMOS device. (5,5,10)

4. The square wave shown is fed to an RC coupling input. Calculate the output voltage V_o ? (20%)

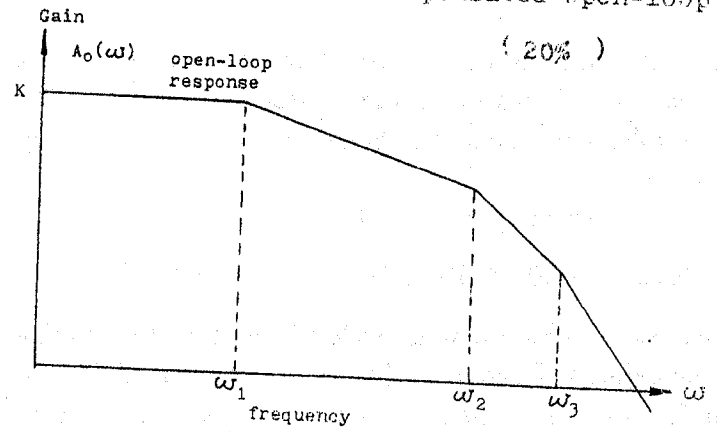
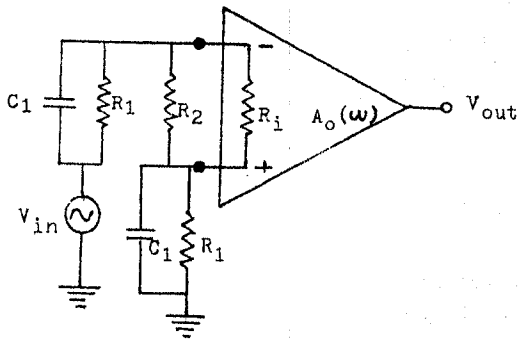


參考用

注意：背面有試題

所別：光電科學研究所碩士班 不分組 科目：電子學

5. The open-loop response of a OP-AMP is modified by R_1C_1 network to provide the required frequency characteristics. If $R_1C_1 = \frac{1}{\omega_1}$. Plot and calculate the compensated open-loop gain $A_o'(\omega)$.



參考用